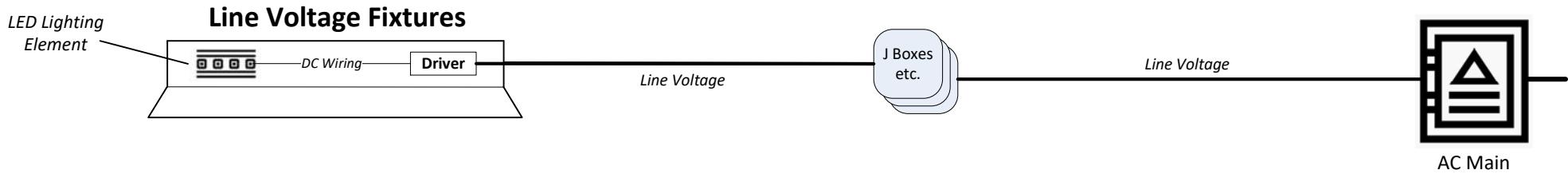
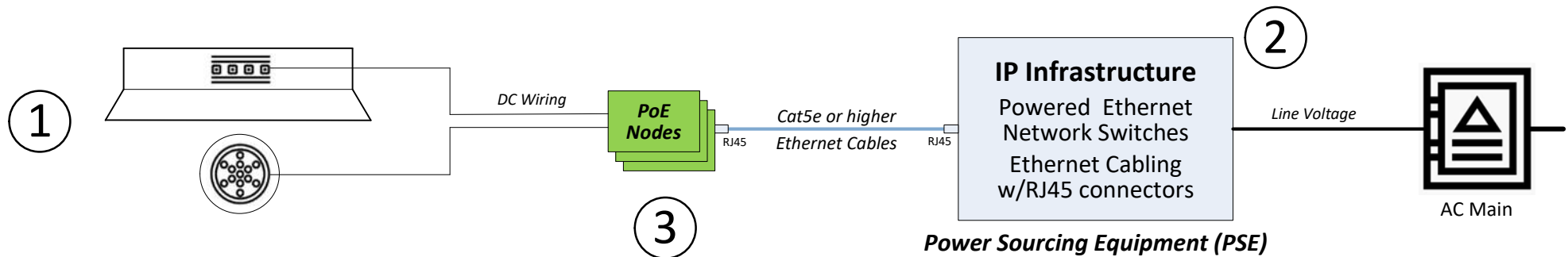


## Basic AC Line Voltage Lighting Configuration



## Direct DC (driverless) LED Lighting Fixtures

## Basic PoE Lighting Configuration



*Ethernet cables replace AC line voltage runs and provide low voltage DC power from Powered Ethernet Network Switches and connectivity for device control and integration via palm-sized, proprietary PoE Nodes*